

ASCO's electrical connection devices are designed using the DIN 43650/ISO 4400 or DIN 46244 (Pg 9P) form standards consistent with our solenoid valve coil designs and permitting industry interchangeability. Each size is available for user wiring or factory prewired installations. Other options include 1/2" conduits, and LED/VDR models.

Features

- Glass fiber reinforced polyamide housing and lid
- IP65 protection against moisture entry and washdown when properly installed with gaskets
- **LED:** Light Emitting Diode. A solid-state diode that emits light to indicate power to the connector
- **VDR:** Varistor absorbing the self-inductance of the coil. The VDR is there to protect the coil or controller against supply over-voltage or peak
- Maximum voltage 240 Volts



Size 11 mm, Form B

Part Number	Description	Rotatable	Figure
290413-001	1/2" conduit	180°	A
289281-001	1/2" conduit with LED/VDR	180°	A
290414-001*	PG 9 cable gland	180°	B
290415-120	PG 9 cable gland with LED/VDR 120/AC-DC	180°	B
290415-240	PG 9 cable gland with LED/VDR 240/AC-DC	180°	B
290415-024	PG 9 cable gland with LED/VDR 24/AC-DC	180°	B
285483-015**	4.5' leads with LED 120/AC-DC PVC	No	B
285482-015**	4.5' leads with LED 24/AC-DC PVC	No	B
285481-018**	6' leads with stripped ends	180°	B

Available in 10 pack; part number 226061-001-

**Also available in 9', 16', and 33' lengths. Consult factory.

Figure A

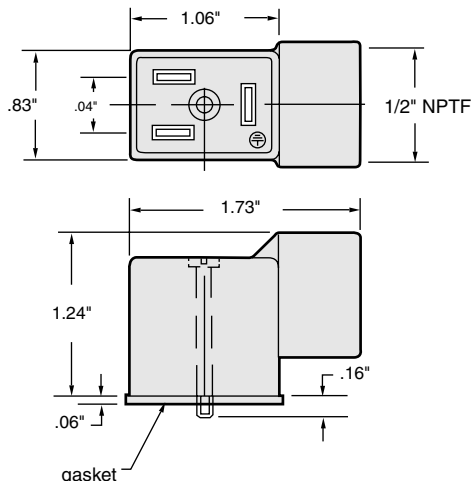
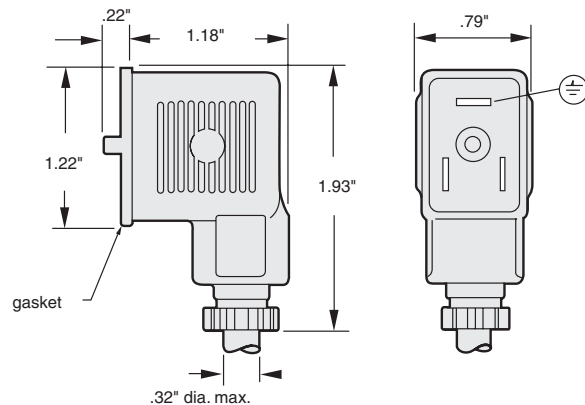


Figure B



Size 18 mm, Form A

Part Number	Description	Rotatable	Figure
290410-001	1/2" conduit	90°	C
289280-001	1/2" conduit with LED	90°	C
290411-001*	PG 11 cable gland	90°	D
290412-120	PG 11 cable gland with LED/VDR 120/AC-DC	90°	D
290412-240	PG 11 cable gland with LED/VDR 240/AC-DC	90°	D
290412-024	PG 11 cable gland with LED/VDR 24/AC-DC	90°	D
290412-048	PG 11 cable gland with LED/VDR 48/AC-DC	90°	D
285480-015**	4.5' leads with LED 120/AC-DC PVC	No	D
290409-015**	4.5' leads with LED 240/AC-DC PVC	No	D
285479-015**	4.5' leads with LED 24/AC-DC PVC	No	D
272852	6' leads with North American outlet plug	No	D
272852-003	6' leads with North American outlet plug (rotated 90 degrees)	No	D
285478-015**	4.5' leads with stripped ends	No	D

*Available in 50 pack; part number 266615.
 **Also available in 9', 16', and 33' lengths. Consult factory.

Figure C

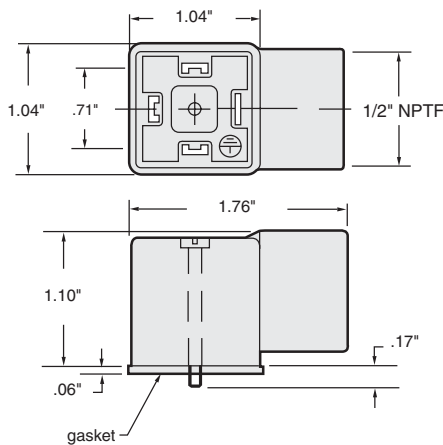
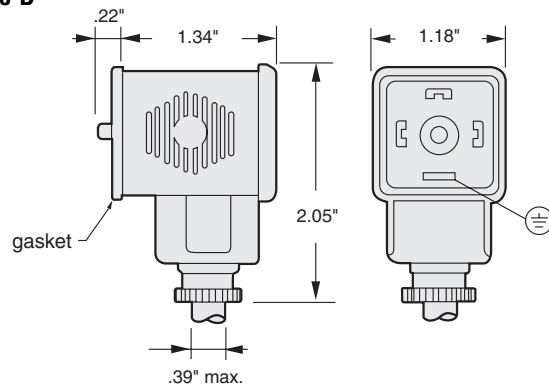


Figure D



Size 9.4 mm, Form C

Part Number	Description	Rotatable
290417-001	PG 7 cable gland	180°
290418-001	PG 7 cable gland LED/VDR 120-240/AC 50/60	180°
289278-001	PG 7 cable gland LED/VDR 48-120/AC 50/60	180°
289282-001	PG 7 cable gland LED/VDR 48-120/DC	180°
289277-001	PG 7 cable gland LED/VDR 6-48/AC-DC	180°
290416-013**	4.5' leads with LED 120/AC-DC PVC	No
285485-015**	4.5' leads with LED 24/AC-DC PVC	No
272852-004**	6' leads	No

**Also available in 9', 16', and 33' lengths. Consult factory.

